



motoalliance

23001 Industrial Blvd, Rogers, MN 55374 / 1-866-527-7637
www.motoalliance.com

MOTOALLIANCE WINCH MOUNT

MA11902

RZR XP900

Thank you for purchasing our MotoAlliance winch mount(s). You now own a premium custom winch mount to allow you to use your winch with your UTV / SxS. Please note the following instructions and heed all warnings.

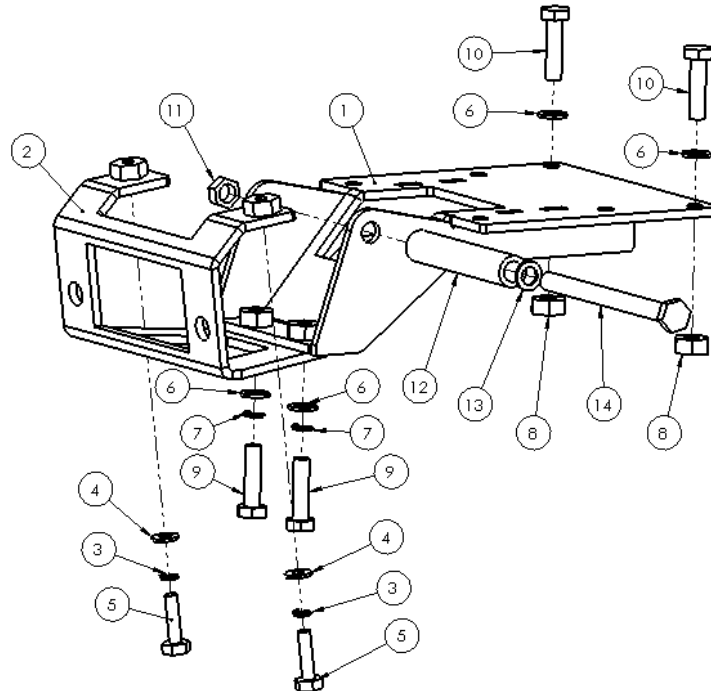
- **Please use common sense when operating your UTV / SxS.**
- **Read your Winch Operator's Manual and all other Operator Manual's, including warning labels, before operating your UTV / SxS.**
- **Be observant of moving parts causing entanglement, use extreme caution!**

SEVERE INJURY OR DEATH MAY RESULT IF YOU ARE NEGLIGENT.

Please verify that all hardware and parts are included in your package.

Kit Content:

Item Number	Description	Quantity
1	MA11902 Base Plate	1
2	MA11902 Fairlead Mount	1
3	1/4" Lock Washer	2
4	1/4" Flat Washer	2
5	1/4"-20 x 1" Grade 5 Hex Bolt	2
6	5/16" Flat Washer	4
7	5/16" Lock washer	2
8	5/16"-18 Nylock Nut	2
9	5/16"-18 x 1" Grade 5 Hex Bolt	2
10	5/16"-18 x 1 1/4" Grade 5 Hex Bolt	2
11	3/8"-16 Nylock Nut	1
12	3/8" ID x 3.600" x 5/8" OD Shaft	1
13	3/8" Flat Washer	1
14	3/8"-16 x 4 3/4" Grade 5 Hex Bolt	1
15	M8-1.25 x 35mm 8.8 Hex Bolt (not shown)	4
16	5/8" Spacers (not shown)	2



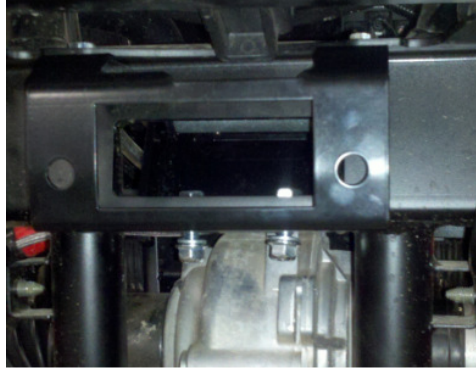
1. Remove the front plastic cover plate



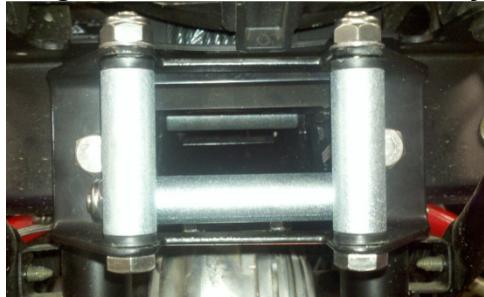
2. Assemble the roller per the schematic above and pictures below using the 3/8" hardware (Bolt direction is not important). Insert the base plate behind the radiator from either the driver side or passenger side wheel well. Secure the using the 5/16" x 1 1/4" hardware.



3. Insert the Fairlead through the hole made by removing the cover plate in Step 1. Secure the top bolts using the 1/4" hardware. The bottom fairlead holes are secured using the 5/16" x 1" Hex Bolts that pass through the fairlead, the base plate and the RZR frame.



4. Attach your fairlead using the hardware included in your winch kit.



5. Secure your winch using the included hardware in your winch kit. Wire the winch according your manufacturers specifications. Mount your contactor on the inside of the firewall, you may need to swap the long cables and short cables to reach the battery. **Always remove the negative battery terminal when working with vehicle electronics.**

